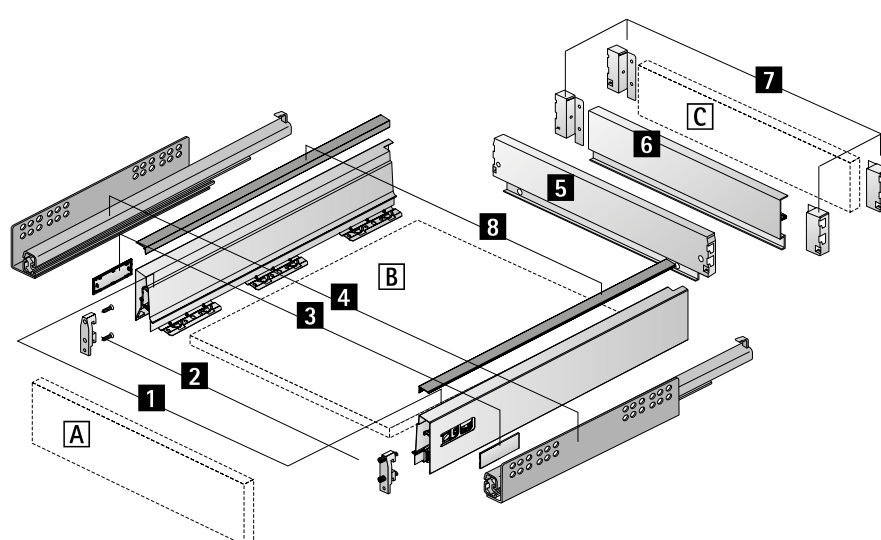


- ▶ Drawer, height 70 mm
- ▶ Powder coated steel, anthracite



Exploded diagram



Components

- 1** Drawer side profile, left and right
- 2** Drawer front connector for drawer side profile, 2 each
- 3** Cover cap, 2 each
- 4** Quadro drawer runner, left and right, see page 950 - 951
- 5** Steel rear panel

Alternatively:

- 6** Aluminium rear panel or **C** Wooden rear panel and
- 7** Rear panel connector, left and right
- A** Front panel
- B** Bottom panel (material thickness 16 mm)
- C** Wooden rear panel (material thickness 16 mm)

Advice

- ▶ For technical information, see pages 995, 1009 - 1023
- ▶ For Quadro drawer runner, see page 950 - 951

- ▶ Drawer, height 70 mm
- ▶ Powder coated steel, anthracite

Components

1 Drawer side profile



Nominal length mm	Order no.		PU
	left	right	
260	9 194 418	9 194 419	18 ea.
300	9 194 420	9 194 421	18 ea.
350	9 194 422	9 194 423	18 ea.
420	9 194 424	9 194 425	18 ea.
470	9 194 426	9 194 427	18 ea.
520	9 194 428	9 194 429	18 ea.
620	9 194 430	9 194 431	18 ea.

2 Drawer front connector for drawer side profile

- ▶ Plastic, white



Mounting option	Order no.	PU
For screwing on	1 065 191	1/400 ea.
With expanding socket	1 061 450	1/400 ea.

3 Cover cap

- ▶ Plastic
- ▶ Cover cap with customised imprint available on request



Finish	Order no.	PU
Dark grey with Hettich logo	9 194 648	1/300 ea.
Dark grey	9 194 645	1/300 ea.
Stainless steel look with Hettich logo	9 194 656	1/300 ea.
Stainless steel look	9 194 655	1/300 ea.

5 Steel rear panel

- ▶ For standard carcass width



Carcass width mm	Order no.	PU
275	9 194 451	1/40 ea.
300	9 194 452	1/40 ea.
350	9 194 453	1/40 ea.
400	9 194 454	1/40 ea.
450	9 194 455	1/40 ea.
500	9 194 456	1/40 ea.
550	9 194 457	1/40 ea.
600	9 194 458	1/40 ea.
700	9 194 459	1/20 ea.
800	9 194 460	1/20 ea.
900	9 194 461	1/20 ea.
1000	9 194 462	1/20 ea.
1200	9 194 463	1/20 ea.

7 Rear panel connector

- ▶ For wooden or **6** Aluminium rear panel



Nominal height mm	Order no.		PU
	left	right	
70	9 194 629	9 194 630	40 ea.

6 Aluminium rear panel

- ▶ For variable or standard carcass width
- ▶ For cutting to length
- ▶ Length 2000 mm
- ▶ Powder coated, anthracite
- ▶ **7** Rear panel connectors must be ordered separately



Order no.	PU
9 194 519	1 ea.