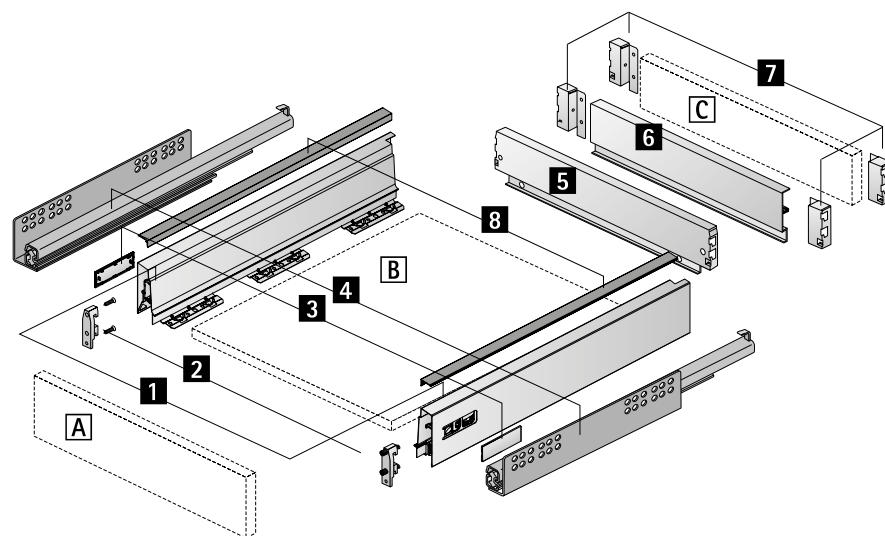


- ▶ Drawer, height 70 mm
- ▶ Powder coated steel, white



Exploded diagram



Components

- 1** Drawer side profile, left and right
- 2** Drawer front connector for drawer side profile, 2 each
- 3** Cover cap, 2 each
- 4** Quadro drawer runner, left and right, see page 950 - 951
- 5** Steel rear panel

Alternatively:

- 6** Aluminium rear panel or **C** Wooden rear panel and
- 7** Rear panel connector, left and right
- A** Front panel
- B** Bottom panel (material thickness 16 mm)
- C** Wooden rear panel (material thickness 16 mm)

Advice

- ▶ For technical information, see pages 995, 1009 - 1023
- ▶ For Quadro drawer runner, see page 950 - 951

- ▶ Drawer, height 70 mm
- ▶ Powder coated steel, white

Components

1 Drawer side profile



Nominal length mm	Order no.		PU
	left	right	
260	9 194 404	9 194 405	18 ea.
300	9 194 406	9 194 407	18 ea.
350	9 194 408	9 194 409	18 ea.
420	9 194 410	9 194 411	18 ea.
470	9 194 412	9 194 413	18 ea.
520	9 194 414	9 194 415	18 ea.
620	9 194 416	9 194 417	18 ea.

2 Drawer front connector for drawer side profile

- ▶ Plastic, white



Mounting option	Order no.	PU
For screwing on	1 065 191	1/400 ea.
With expanding socket	1 061 450	1/400 ea.

3 Cover cap

- ▶ Plastic
- ▶ Cover cap with customised imprint available on request



Finish	Order no.	PU
White with Hettich logo	9 194 647	1/300 ea.
White	9 194 644	1/300 ea.
Chrome look with Hettich logo	9 194 653	1/300 ea.
Chrome look	9 194 650	1/300 ea.

5 Steel rear panel

- ▶ For standard carcass width



Carcass width mm	Order no.	PU
275	9 194 438	1/40 ea.
300	9 194 439	1/40 ea.
350	9 194 440	1/40 ea.
400	9 194 441	1/40 ea.
450	9 194 442	1/40 ea.
500	9 194 443	1/40 ea.
550	9 194 444	1/40 ea.
600	9 194 445	1/40 ea.
700	9 194 446	1/20 ea.
800	9 194 447	1/20 ea.
900	9 194 448	1/20 ea.
1000	9 194 449	1/20 ea.
1200	9 194 450	1/20 ea.

7 Rear panel connector

- ▶ For wooden or **6** Aluminium rear panel



Nominal height mm	Order no.		PU
	left	right	
70	9 194 627	9 194 628	40 ea.

6 Aluminium rear panel

- ▶ For variable or standard carcass width
- ▶ For cutting to length
- ▶ Length 2000 mm
- ▶ Powder coated, white
- ▶ **7** Rear panel connectors must be ordered separately



Order no.	PU
9 194 518	1 ea.