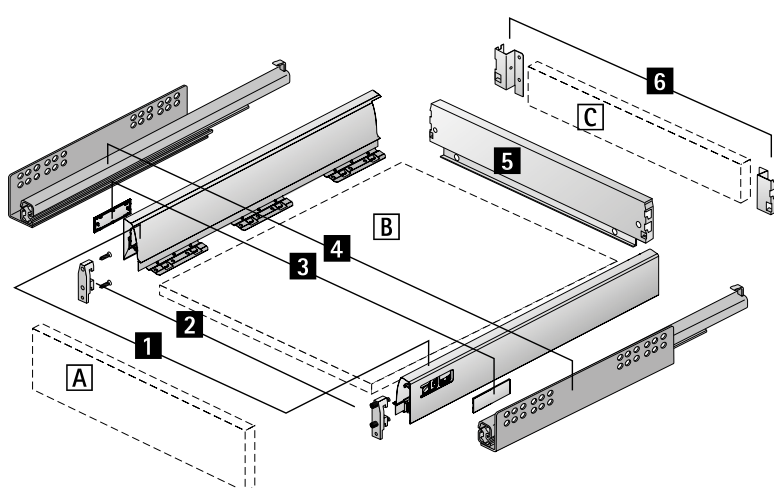


- ▶ Drawer, height 54 mm
- ▶ Powder coated steel, silver



Exploded diagram



Components

- 1** Drawer side profile, left and right
- 2** Drawer front connector for drawer side profile, 2 each
- 3** Cover cap, 2 each
- 4** Quadro drawer runner, left and right, see page 950 - 951
- 5** Steel rear panel

Alternatively:

- Wooden rear panel and
- 6** Rear panel connector, left and right
- Front panel
- Bottom panel (material thickness 16 mm)
- Wooden rear panel (material thickness 16 mm)

Advice

- ▶ For technical information, see pages 994, 1009 - 1023
- ▶ For Quadro drawer runner, see page 950 - 951

- ▶ **Drawer, height 54 mm**
- ▶ **Powder coated steel, silver**

Components

1 Drawer side profile

- ▶ E.g. for such applications as under-oven drawer



Nominal length mm	Order no.		PU
	left	right	
470	1 063 801	1 063 802	18 ea.

2 Drawer front connector for drawer side profile

- ▶ Plastic, white



Mounting option	Order no.	PU
For screwing on	1 065 191	1/400 ea.
With expanding socket	1 061 450	1/400 ea.

3 Cover cap

- ▶ Plastic
- ▶ Cover cap with customised imprint available on request



Finish	Order no.	PU
Grey with Hettich logo	9 194 646	1/300 ea.
Grey	9 194 643	1/300 ea.
Chrome look with Hettich logo	9 194 652	1/300 ea.
Chrome look	9 194 649	1/300 ea.

5 Steel rear panel

- ▶ For standard carcass width



Carcass width mm	Order no.	PU
600	1 063 806	1/40 ea.

6 Rear panel connector

- ▶ For wooden rear panel



Nominal height mm	Order no.		PU
	left	right	
54	9 003 473	9 003 474	40 ea.