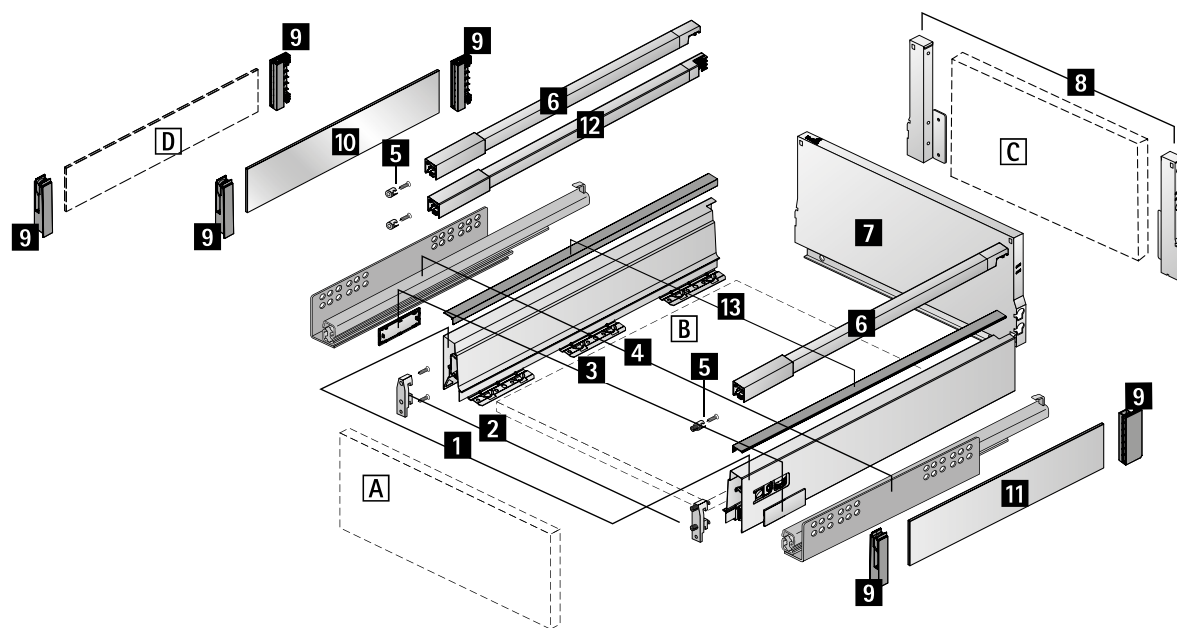


- ▶ Pot-and-pan drawer with railing, height 176 mm
- ▶ Powder coated steel, anthracite



Exploded diagram



Components

- 1** Drawer side profile, left and right
- 2** Drawer front connector for drawer side profile, 2 each
- 3** Cover cap, 2 each
- 4** Quadro drawer runner, left and right, see page 950 - 951
- 5** Drawer front connector for lengthwise railing, 2 each
- 6** Lengthwise railing, left and right
- 7** Steel rear panel

Alternatively:

- C** Wooden rear panel and
- 8** Rear panel connector, left and right

Optional accessories:

- 9** TopSide adapter and
- 10** TopSide in metal

Alternative 1:

- 9** TopSide adapter and
- 11** TopSide in glass

Alternative 2:

- 9** TopSide adapter and
- D** TopSide in any chosen material

Alternative 3:

- 12** Double railing and
- 5** Drawer front connector for lengthwise railing, 2 each

- A** Front panel
- B** Bottom panel (material thickness 16 mm)
- C** Wooden rear panel (material thickness 16 mm)
- D** TopSide in any chosen material (material thickness 4 mm)

Advice

- ▶ For technical information, see pages 1003, 1009 - 1023
- ▶ For Quadro drawer runner, see page 950 - 951

- ▶ Pot-and-pan drawer with railing, height 176 mm
- ▶ Powder coated steel, anthracite



Components

1 Drawer side profile



Nominal length mm	Order no.		PU
	left	right	
260	9 194 418	9 194 419	18 ea.
300	9 194 420	9 194 421	18 ea.
350	9 194 422	9 194 423	18 ea.
420	9 194 424	9 194 425	18 ea.
470	9 194 426	9 194 427	18 ea.
520	9 194 428	9 194 429	18 ea.
620	9 194 430	9 194 431	18 ea.

2 Drawer front connector for drawer side profile

- ▶ Plastic, white



Mounting option	Order no.	PU
For screwing on	1 065 191	1/400 ea.
With expanding socket	1 061 450	1/400 ea.

3 Cover cap

- ▶ Plastic
- ▶ Cover cap with customised imprint available on request



Finish	Order no.	PU
Dark grey with Hettich logo	9 194 648	1/300 ea.
Dark grey	9 194 645	1/300 ea.
Stainless steel look with Hettich logo	9 194 656	1/300 ea.
Stainless steel look	9 194 655	1/300 ea.

6 Lengthwise railing



Nominal length mm	Order no.		PU
	left	right	
260	9 194 550	9 194 551	80 ea.
300	9 194 552	9 194 553	80 ea.
350	9 194 554	9 194 555	80 ea.
420	9 194 556	9 194 557	80 ea.
470	9 194 558	9 194 559	80 ea.
520	9 194 560	9 194 561	80 ea.
620	9 194 562	9 194 563	80 ea.

5 Drawer front connector for lengthwise railing

- ▶ Plastic, white



Mounting option	Order no.	PU
For screwing on	9 002 503	1/400 ea.
With expanding socket	1 061 965	1/400 ea.

7 Steel rear panel

- ▶ For standard carcass width



Carcass width mm	Order no.	PU
300	9 194 506	1/20 ea.
350	9 194 507	1/20 ea.
400	9 194 508	1/20 ea.
450	9 194 509	1/20 ea.
500	9 194 510	1/20 ea.
550	9 194 511	1/20 ea.
600	9 194 512	1/20 ea.
700	9 209 984	1/10 ea.
800	9 194 514	1/10 ea.
900	9 194 515	1/10 ea.
1000	9 194 516	1/10 ea.
1200	9 194 517	1/10 ea.

- ▶ Pot-and-pan drawer with railing, height 176 mm
- ▶ Powder coated steel, anthracite



8 Rear panel connector

- ▶ For wooden rear panel



Nominal height mm	Order no.		PU
	left	right	
176	9 194 641	9 194 642	40 ea.

9 TopSide adapter

- ▶ For installing **10** TopSide in metal, **11** TopSide in glass or TopSide in any chosen material
- ▶ Plastic, dark grey



Set comprises:

- ▶ 1 adapter, front, left and right
- ▶ 1 adapter, rear, left and right

Order no.	PU
9 194 662	1/50 set

10 TopSide in metal

- ▶ **9** TopSide adapter must be ordered separately



Set comprises:

- ▶ 2 TopSides

Nominal length mm	Order no.	PU
260	9 194 712	1 set
300	9 194 713	1 set
350	9 194 714	1 set
420	9 194 715	1 set
470	9 194 716	1 set
520	9 194 717	1 set
620	9 194 718	1 set

11 TopSide in glass

- ▶ Float glass, clear
- ▶ **9** TopSide adapter must be ordered separately



Set comprises:

- ▶ 2 TopSides

Nominal length mm	Order no.	PU
260	9 194 670	1 set
300	9 194 671	1 set
350	9 194 672	1 set
420	9 194 673	1 set
470	9 194 674	1 set
520	9 194 675	1 set
620	9 194 676	1 set

12 double railing



Nominal length mm	Order no.		PU
	left	right	
260	9 195 038	9 195 039	80 ea.
300	9 195 040	9 195 041	80 ea.
350	9 195 042	9 195 043	80 ea.
420	9 195 044	9 195 045	80 ea.
470	9 195 046	9 195 047	80 ea.
520	9 195 048	9 195 049	80 ea.
620	9 195 050	9 195 051	80 ea.