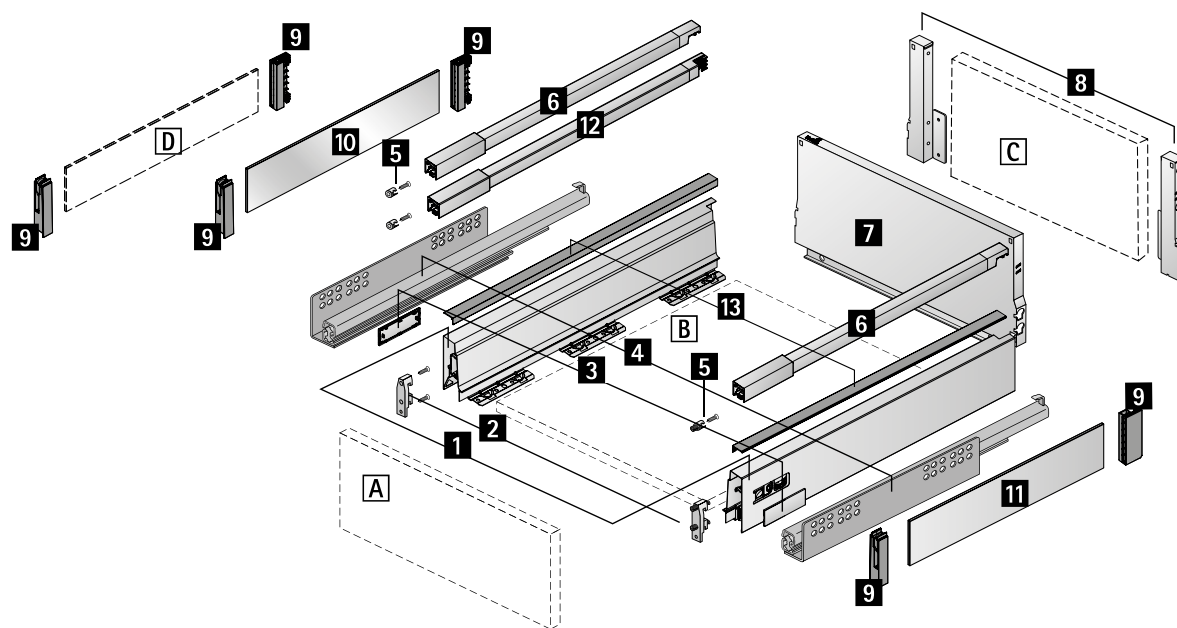


- ▶ Pot-and-pan drawer with railing, height 176 mm
- ▶ Powder coated steel, white



Exploded diagram



Components

- 1 Drawer side profile, left and right
- 2 Drawer front connector for drawer side profile, 2 each
- 3 Cover cap, 2 each
- 4 Quadro drawer runner, left and right, see page 950 - 951
- 5 Drawer front connector for lengthwise railing, 2 each
- 6 Lengthwise railing, left and right
- 7 Steel rear panel

Alternatively:

- Wooden rear panel and
- 8 Rear panel connector, left and right

Optional accessories:

- 9 TopSide adapter and
- 10 TopSide in metal

Alternative 1:

- 9 TopSide adapter and
- 11 TopSide in glass

Alternative 2:

- 9 TopSide adapter and
- TopSide in any chosen material

Alternative 3:

- 12 Double railing and
- 5 Drawer front connector for lengthwise railing, 2 each

- A Front panel
- B Bottom panel (material thickness 16 mm)
- C Wooden rear panel (material thickness 16 mm)
- D TopSide in any chosen material (material thickness 4 mm)

Advice

- ▶ For technical information, see pages 1003, 1009 - 1023
- ▶ For Quadro drawer runner, see page 950 - 951

- ▶ Pot-and-pan drawer with railing, height 176 mm
- ▶ Powder coated steel, white



Components

1 Drawer side profile



Nominal length mm	Order no.		PU
	left	right	
260	9 194 404	9 194 405	18 ea.
300	9 194 406	9 194 407	18 ea.
350	9 194 408	9 194 409	18 ea.
420	9 194 410	9 194 411	18 ea.
470	9 194 412	9 194 413	18 ea.
520	9 194 414	9 194 415	18 ea.
620	9 194 416	9 194 417	18 ea.

2 Drawer front connector for drawer side profile

- ▶ Plastic, white



Mounting option	Order no.	PU
For screwing on	1 065 191	1/400 ea.
With expanding socket	1 061 450	1/400 ea.

3 Cover cap

- ▶ Plastic
- ▶ Cover cap with customised imprint available on request



Finish	Order no.	PU
White with Hettich logo	9 194 647	1/300 ea.
White	9 194 644	1/300 ea.
Chrome look with Hettich logo	9 194 653	1/300 ea.
Chrome look	9 194 650	1/300 ea.

6 Lengthwise railing



Nominal length mm	Order no.		PU
	right	left	
260	9 194 537	9 194 536	80 ea.
300	9 194 539	9 194 538	80 ea.
350	9 194 541	9 194 540	80 ea.
420	9 194 543	9 194 542	80 ea.
470	9 194 545	9 194 544	80 ea.
520	9 194 547	9 194 546	80 ea.
620	9 194 549	9 194 548	80 ea.

5 Drawer front connector for lengthwise railing

- ▶ Plastic, white



Mounting option	Order no.	PU
For screwing on	9 002 503	1/400 ea.
With expanding socket	1 061 965	1/400 ea.

7 Steel rear panel

- ▶ For standard carcass width



Carcass width mm	Order no.	PU
300	9 194 494	1/20 ea.
350	9 194 495	1/20 ea.
400	9 194 496	1/20 ea.
450	9 194 497	1/20 ea.
500	9 194 498	1/20 ea.
550	9 194 499	1/20 ea.
600	9 194 500	1/20 ea.
700	9 209 982	1/10 ea.
800	9 194 502	1/10 ea.
900	9 194 503	1/10 ea.
1000	9 194 504	1/10 ea.
1200	9 194 505	1/10 ea.

- ▶ Pot-and-pan drawer with railing, height 176 mm
- ▶ Powder coated steel, white



8 Rear panel connector

- ▶ For wooden rear panel



Nominal height mm	Order no.		PU
	left	right	
176	9 194 639	9 194 640	40 ea.

9 TopSide adapter

- ▶ For installing **10** TopSide in metal, **11** TopSide in glass or TopSide in any chosen material
- ▶ Plastic, white



Set comprises:

- ▶ 1 adapter, front, left and right
- ▶ 1 adapter, rear, left and right

Order no.	PU
9 194 661	1/50 set

10 TopSide in metal

- ▶ **9** TopSide adapters must be ordered separately

Set comprises:
▶ 2 TopSides



Nominal length mm	Order no.	PU
260	9 194 705	1 set
300	9 194 706	1 set
350	9 194 707	1 set
420	9 194 708	1 set
470	9 194 709	1 set
520	9 194 710	1 set
620	9 194 711	1 set

11 TopSide in glass

- ▶ Float glass, clear
- ▶ **9** TopSide adapters must be ordered separately

Set comprises:
▶ 2 TopSides



Nominal length mm	Order no.	PU
260	9 194 670	1 set
300	9 194 671	1 set
350	9 194 672	1 set
420	9 194 673	1 set
470	9 194 674	1 set
520	9 194 675	1 set
620	9 194 676	1 set

12 double railing



Nominal length mm	Order no.		PU
	left	right	
260	9 195 024	9 195 025	80 ea.
300	9 195 026	9 195 027	80 ea.
350	9 195 028	9 195 029	80 ea.
420	9 195 030	9 195 031	80 ea.
470	9 195 032	9 195 033	80 ea.
520	9 195 034	9 195 035	80 ea.
620	9 195 036	9 195 037	80 ea.