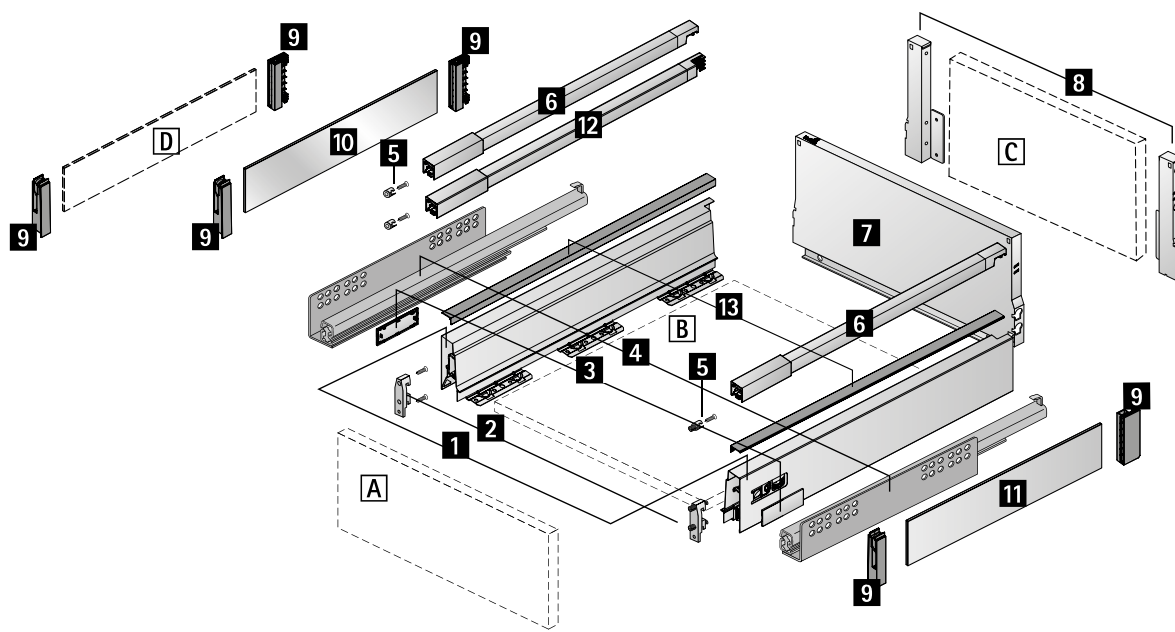


- ▶ Pot-and-pan drawer with railing, height 176 mm
- ▶ Powder coated steel, silver



Exploded diagram



Components

- 1 Drawer side profile, left and right
- 2 Drawer front connector for drawer side profile, 2 each
- 3 Cover cap, 2 each
- 4 Quadro drawer runner, left and right, see page 950 - 951
- 5 Drawer front connector for lengthwise railing, 2 each
- 6 Lengthwise railing, left and right
- 7 Steel rear panel

Alternatively:

- Wooden rear panel and
- 8 Rear panel connector, left and right

Optional accessories:

- 9 TopSide adapter and
- 10 TopSide in metal

Alternative 1:

- 9 TopSide adapter and
- 11 TopSide in glass

Alternative 2:

- 9 TopSide adapter and
- TopSide in any chosen material

Alternative 3:

- 12 Double railing and
- 5 Drawer front connector for lengthwise railing, 2 each

- A Front panel
- B Bottom panel (material thickness 16 mm)
- C Wooden rear panel (material thickness 16 mm)
- D TopSide in any chosen material (material thickness 4 mm)

Advice

- ▶ For technical information, see pages 1003, 1009 - 1023
- ▶ For Quadro drawer runner, see page 950 - 951

- ▶ Pot-and-pan drawer with railing, height 176 mm
- ▶ Powder coated steel, silver



Components

1 Drawer side profile



Nominal length mm	Order no.		PU
	left	right	
260	9 194 390	9 194 391	18 ea.
300	9 194 392	9 194 393	18 ea.
350	9 194 394	9 194 395	18 ea.
420	9 194 396	9 194 397	18 ea.
470	9 194 398	9 194 399	18 ea.
520	9 194 400	9 194 401	18 ea.
620	9 194 402	9 194 403	18 ea.

2 Drawer front connector for drawer side profile

- ▶ Plastic, white



Mounting option	Order no.	PU
For screwing on	1 065 191	1/400 ea.
With expanding socket	1 061 450	1/400 ea.

3 Cover cap

- ▶ Plastic
- ▶ Cover cap with customised imprint available on request



Finish	Order no.	PU
Grey with Hettich logo	9 194 646	1/300 ea.
Grey	9 194 643	1/300 ea.
Chrome look with Hettich logo	9 194 652	1/300 ea.
Chrome look	9 194 649	1/300 ea.

6 Lengthwise railing



Nominal length mm	Order no.		PU
	left	right	
260	9 194 522	9 194 523	80 ea.
300	9 194 524	9 194 525	80 ea.
350	9 194 526	9 194 527	80 ea.
420	9 194 528	9 194 529	80 ea.
470	9 194 530	9 194 531	80 ea.
520	9 194 532	9 194 533	80 ea.
620	9 194 534	9 194 535	80 ea.

5 Drawer front connector for lengthwise railing

- ▶ Plastic, white



Mounting option	Order no.	PU
For screwing on	9 002 503	1/400 ea.
With expanding socket	1 061 965	1/400 ea.

7 Steel rear panel

- ▶ For standard carcass width



Carcass width mm	Order no.	PU
300	9 015 064	1/20 ea.
350	9 015 067	1/20 ea.
400	9 081 520	1/20 ea.
450	9 015 068	1/20 ea.
500	9 081 521	1/20 ea.
550	9 081 522	1/20 ea.
600	9 015 069	1/20 ea.
700	9 134 074	1/10 ea.
800	9 081 523	1/10 ea.
900	9 015 071	1/10 ea.
1000	9 081 524	1/10 ea.
1200	9 081 525	1/10 ea.

- ▶ Pot-and-pan drawer with railing, height 176 mm
- ▶ Powder coated steel, silver



8 Rear panel connector

- ▶ For wooden rear panel



Nominal height mm	Order no.		PU
	left	right	
176	9 027 831	9 027 832	40 ea.

9 TopSide adapter

- ▶ For installing **10** TopSide in metal, **11** TopSide in glass or TopSide in any chosen material
- ▶ Plastic, grey



Set comprises:

- ▶ 1 adapter, front, left and right
- ▶ 1 adapter, rear, left and right

Order no.	PU
9 194 660	1/50 set

10 TopSide in metal

- ▶ **9** TopSide adapters must be ordered separately



Set comprises:

- ▶ 2 TopSides

Nominal length mm	Order no.	PU
260	9 194 698	1 set
300	9 194 699	1 set
350	9 194 700	1 set
420	9 194 701	1 set
470	9 194 702	1 set
520	9 194 703	1 set
620	9 194 704	1 set

11 TopSide in glass

- ▶ Float glass, clear
- ▶ **9** TopSide adapters must be ordered separately



Set comprises:

- ▶ 2 TopSides

Nominal length mm	Order no.	PU
260	9 194 670	1 set
300	9 194 671	1 set
350	9 194 672	1 set
420	9 194 673	1 set
470	9 194 674	1 set
520	9 194 675	1 set
620	9 194 676	1 set

12 double railing



Nominal length mm	Order no.		PU
	left	right	
260	9 195 010	9 195 011	80 ea.
300	9 195 012	9 195 013	80 ea.
350	9 195 014	9 195 015	80 ea.
420	9 195 016	9 195 017	80 ea.
470	9 195 018	9 195 019	80 ea.
520	9 195 020	9 195 021	80 ea.
620	9 195 022	9 195 023	80 ea.