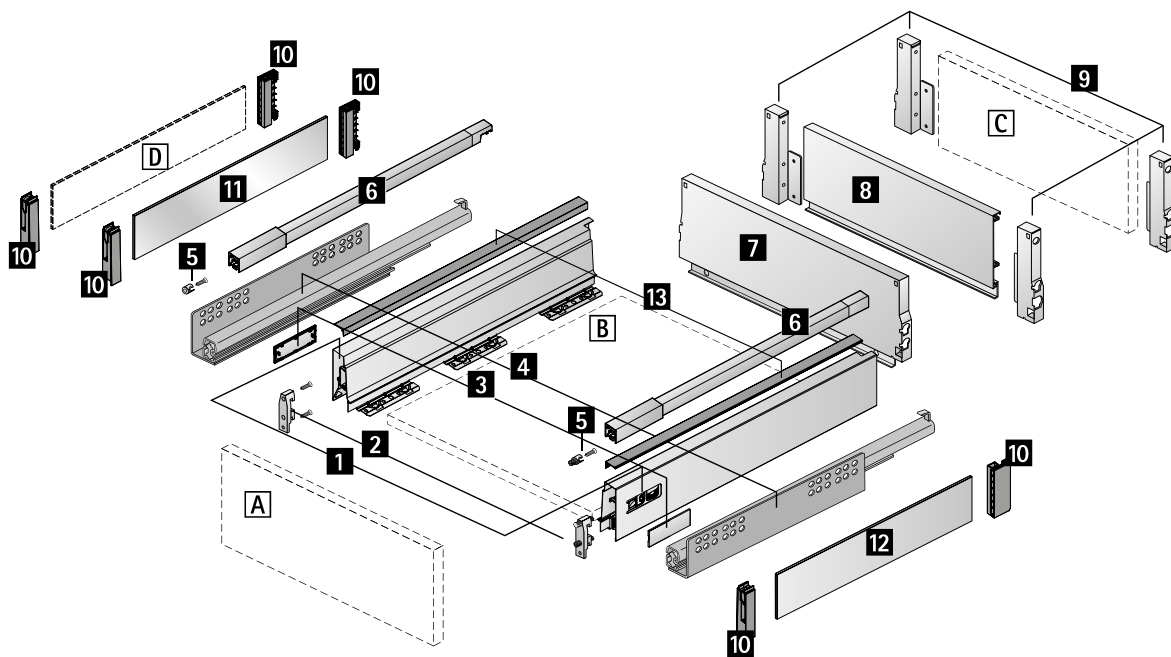


- ▶ Pot-and-pan drawer with railing, height 144 mm
- ▶ Powder coated steel, white



### Exploded diagram



### Components

- 1** Drawer side profile, left and right
- 2** Drawer front connector for drawer side profile, 2 each
- 3** Cover cap, 2 each
- 4** Quadro drawer runner, left and right, see page 950 - 951
- 5** Drawer front connector for lengthwise railing, 2 each
- 6** Lengthwise railing, left and right
- 7** Steel rear panel
- Alternatively:**
  - 8** Aluminium rear panel or **C** Wooden rear panel and
  - 9** Rear panel connector, left and right
- Optional accessories:**
  - 10** TopSide adapter
  - 11** TopSide in metal
- Alternative 1:**
  - 12** TopSide in glass
- Alternative 2:**
  - D** TopSide in any chosen material
- A** Front panel
- B** Bottom panel (material thickness 16 mm)
- C** Wooden rear panel (material thickness 16 mm)
- D** TopSide in any chosen material (material thickness 4 mm)

### Advice

- ▶ For technical information, see pages 998, 1009 - 1023
- ▶ For Quadro drawer runner, see page 950 - 951

- ▶ Pot-and-pan drawer with railing, height 144 mm
- ▶ Powder coated steel, white



## Components

### 1 Drawer side profile



Nominal length mm	Order no.		PU
	left	right	
260	9 194 404	9 194 405	18 ea.
300	9 194 406	9 194 407	18 ea.
350	9 194 408	9 194 409	18 ea.
420	9 194 410	9 194 411	18 ea.
470	9 194 412	9 194 413	18 ea.
520	9 194 414	9 194 415	18 ea.
620	9 194 416	9 194 417	18 ea.

### 2 Drawer front connector for drawer side profile

- ▶ Plastic, white



Mounting option	Order no.	PU
For screwing on	1 065 191	1/400 ea.
With expanding socket	1 061 450	1/400 ea.

### 3 Cover cap

- ▶ Plastic
- ▶ Cover cap with customised imprint available on request



Finish	Order no.	PU
White with Hettich logo	9 194 647	1/300 ea.
White	9 194 644	1/300 ea.
Chrome look with Hettich logo	9 194 653	1/300 ea.
Chrome look	9 194 650	1/300 ea.

### 6 Lengthwise railing



Nominal length mm	Order no.		PU
	right	left	
260	9 194 537	9 194 536	80 ea.
300	9 194 539	9 194 538	80 ea.
350	9 194 541	9 194 540	80 ea.
420	9 194 543	9 194 542	80 ea.
470	9 194 545	9 194 544	80 ea.
520	9 194 547	9 194 546	80 ea.
620	9 194 549	9 194 548	80 ea.

### 5 Drawer front connector for lengthwise railing

- ▶ Plastic, white



Mounting option	Order no.	PU
For screwing on	9 002 503	1/400 ea.
With expanding socket	1 061 965	1/400 ea.

### 7 Steel rear panel

- ▶ For standard carcass width



Carcass width mm	Order no.	PU
275	9 194 464	1/20 ea.
300	9 194 465	1/20 ea.
350	9 194 466	1/20 ea.
400	9 194 467	1/20 ea.
450	9 194 468	1/20 ea.
500	9 194 469	1/20 ea.
550	9 194 470	1/20 ea.
600	9 194 471	1/20 ea.
700	9 194 472	1/10 ea.
800	9 194 474	1/10 ea.
900	9 194 476	1/10 ea.
1000	9 194 477	1/10 ea.
1200	9 194 478	1/10 ea.

- ▶ Pot-and-pan drawer with railing, height 144 mm
- ▶ Powder coated steel, white



### 9 Rear panel connector

- ▶ For wooden or **8** Aluminium rear panel



Nominal height mm	Order no.		PU
	left	right	
144	9 194 635	9 194 636	40 ea.

### 8 Aluminium rear panel

- ▶ For variable or standard carcass width
- ▶ For cutting to length
- ▶ Length 2000 mm
- ▶ Powder coated, white
- ▶ **9** Rear panel connectors must be ordered separately



Order no.	PU
9 194 520	1 ea.

### 10 TopSide adapter

- ▶ For installing **11** TopSide in metal, **12** TopSide in glass or TopSide in any chosen material
- ▶ Plastic, white



Set comprises:

- ▶ 1 adapter, front, left and right
- ▶ 1 adapter, rear, left and right

Order no.	PU
9 194 658	1/50 set

### 11 TopSide in metal

- ▶ **10** TopSide adapters must be ordered separately

Set comprises:

- ▶ 2 TopSides



Nominal length mm	Order no.	PU
260	9 194 684	1 set
300	9 194 685	1 set
350	9 194 686	1 set
420	9 194 687	1 set
470	9 194 688	1 set
520	9 194 689	1 set
620	9 194 690	1 set

### 12 TopSide in glass

- ▶ Float glass, clear
- ▶ **10** TopSide adapters must be ordered separately



Set comprises:

- ▶ 2 TopSides

Nominal length mm	Order no.	PU
260	9 194 663	1 set
300	9 194 664	1 set
350	9 194 665	1 set
420	9 194 666	1 set
470	9 194 667	1 set
520	9 194 668	1 set
620	9 194 669	1 set