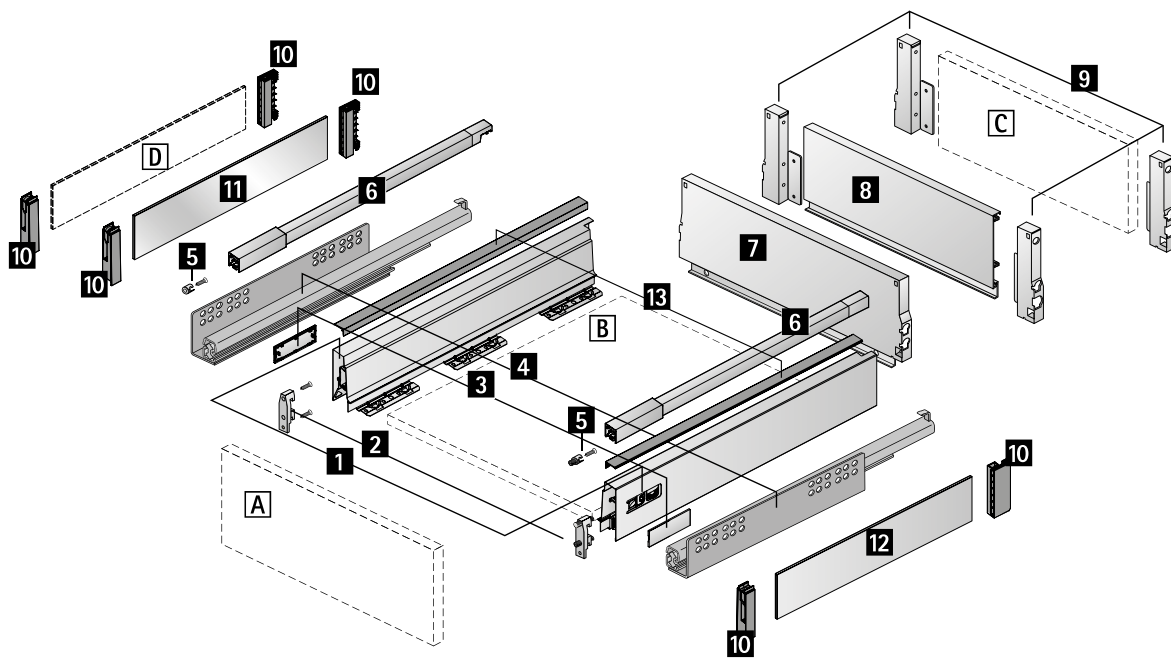


- ▶ Pot-and-pan drawer with railing, height 144 mm
- ▶ Powder coated steel, silver



Exploded diagram



Components

- 1** Drawer side profile, left and right
- 2** Drawer front connector for drawer side profile, 2 each
- 3** Cover cap, 2 each
- 4** Quadro drawer runner, left and right, see page 950 - 951
- 5** Drawer front connector for lengthwise railing, 2 each
- 6** Lengthwise railing, left and right
- 7** Steel rear panel
- Alternatively:**
 - 8** Aluminium rear panel or **C** Wooden rear panel and
 - 9** Rear panel connector, left and right
- Optional accessories:**
 - 10** TopSide adapter
 - 11** TopSide in metal
- Alternative 1:**
 - 12** TopSide in glass
- Alternative 2:**
 - D** TopSide in any chosen material
- A** Front panel
- B** Bottom panel (material thickness 16 mm)
- C** Wooden rear panel (material thickness 16 mm)
- D** TopSide in any chosen material (material thickness 4 mm)

Advice

- ▶ For technical information, see pages 998, 1009 - 1023
- ▶ For Quadro drawer runner, see page 950 - 951

- ▶ Pot-and-pan drawer with railing, height 144 mm
- ▶ Powder coated steel, silver



Components

1 Drawer side profile



Nominal length mm	Order no.		PU
	left	right	
260	9 194 390	9 194 391	18 ea.
300	9 194 392	9 194 393	18 ea.
350	9 194 394	9 194 395	18 ea.
420	9 194 396	9 194 397	18 ea.
470	9 194 398	9 194 399	18 ea.
520	9 194 400	9 194 401	18 ea.
620	9 194 402	9 194 403	18 ea.

2 Drawer front connector for drawer side profile

- ▶ Plastic, white



Mounting option	Order no.	PU
For screwing on	1 065 191	1/400 ea.
With expanding socket	1 061 450	1/400 ea.

3 Cover cap

- ▶ Plastic
- ▶ Cover cap with customised imprint available on request



Finish	Order no.	PU
Grey with Hettich logo	9 194 646	1/300 ea.
Grey	9 194 643	1/300 ea.
Chrome look with Hettich logo	9 194 652	1/300 ea.
Chrome look	9 194 649	1/300 ea.

6 Lengthwise railing



Nominal length mm	Order no.		PU
	left	right	
260	9 194 522	9 194 523	80 ea.
300	9 194 524	9 194 525	80 ea.
350	9 194 526	9 194 527	80 ea.
420	9 194 528	9 194 529	80 ea.
470	9 194 530	9 194 531	80 ea.
520	9 194 532	9 194 533	80 ea.
620	9 194 534	9 194 535	80 ea.

5 Drawer front connector for lengthwise railing

- ▶ Plastic, white



Mounting option	Order no.	PU
For screwing on	9 002 503	1/400 ea.
With expanding socket	1 061 965	1/400 ea.

7 Steel rear panel

- ▶ For standard carcass width



Carcass width mm	Order no.	PU
275	9 004 059	1/20 ea.
300	9 004 065	1/20 ea.
350	9 004 067	1/20 ea.
400	9 004 068	1/20 ea.
450	9 004 069	1/20 ea.
500	9 004 070	1/20 ea.
550	9 004 071	1/20 ea.
600	9 004 072	1/20 ea.
700	9 004 073	1/10 ea.
800	9 004 074	1/10 ea.
900	9 004 075	1/10 ea.
1000	9 004 076	1/10 ea.
1200	9 004 077	1/10 ea.

- ▶ Pot-and-pan drawer with railing, height 144 mm
- ▶ Powder coated steel, silver



9 Rear panel connector

- ▶ For wooden or **8** Aluminium rear panel



Nominal height mm	Order no.		PU
	left	right	
144	9 007 355	9 007 356	40 ea.

8 Aluminium rear panel

- ▶ For variable or standard carcass width
- ▶ For cutting to length
- ▶ Length 2000 mm
- ▶ Powder coated, silver
- ▶ **9** Rear panel connectors must be ordered separately



Order no.	PU
0 013 225	1 ea.

10 TopSide adapter

- ▶ For installing **11** TopSide in metal, **12** TopSide in glass or TopSide in any chosen material
- ▶ Plastic, grey



Set comprises:

- ▶ 1 adapter, front, left and right
- ▶ 1 adapter, rear, left and right

Order no.	PU
9 194 657	1/50 set

11 TopSide in metal

- ▶ **10** TopSide adapters must be ordered separately



Set comprises:

- ▶ 2 TopSides

Nominal length mm	Order no.	PU
260	9 194 677	1 set
300	9 194 678	1 set
350	9 194 679	1 set
420	9 194 680	1 set
470	9 194 681	1 set
520	9 194 682	1 set
620	9 194 683	1 set

12 TopSide in glass

- ▶ Float glass, clear
- ▶ **10** TopSide adapters must be ordered separately



Set comprises:

- ▶ 2 TopSides

Nominal length mm	Order no.	PU
260	9 194 663	1 set
300	9 194 664	1 set
350	9 194 665	1 set
420	9 194 666	1 set
470	9 194 667	1 set
520	9 194 668	1 set
620	9 194 669	1 set