

Double walled drawer system InnoTech

- ▶ Pot-and-pan drawer with railing, height 144 mm
- ▶ Powder-coated steel, silver



Components

1 Drawer side profile

- 1** Drawer side profile, left and right
- 2** Drawer front connector for side profile, 2 each
- 3** Cover cap, 2 each
- 4** Quadro drawer runner, see page 821
- 5** Drawer front connector for lengthwise railing, 2 each
- 6** Lengthwise railing, 2 each
- 7** Steel rear panel

Alternatively:

- 8** Aluminium rear panel or **C** Wooden rear panel and
- 9** Rear panel connector, left and right

Optional accessories:

- 10** Decorative profile, 2 each
- 11** TopSide in steel

Alternative 1:

- 12** TopSide in plastic, 1 set or 2 each

Alternative 2:

- 13** TopSide universal adapter and
- 14** TopSide in glass

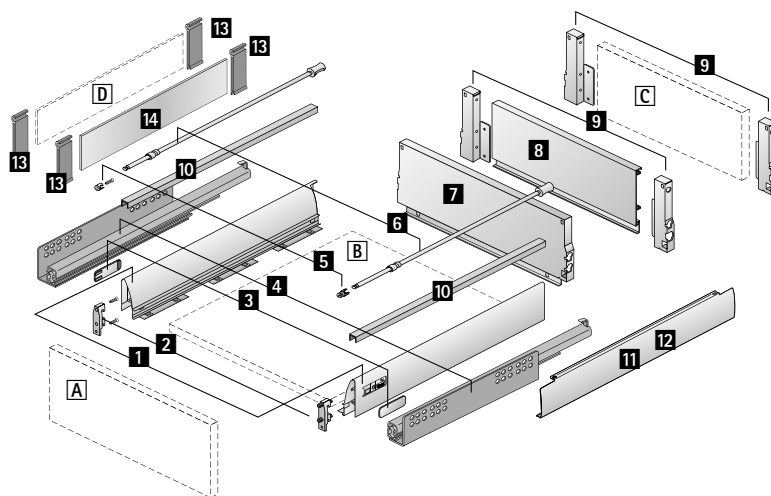
Alternative 3:

- D** TopSide in any chosen material and
- 13** TopSide universal adapter

- A** Front
- B** Bottom panel (material thickness 16 mm)
- C** Wooden rear panel (material thickness 16 mm)
- D** TopSide in any chosen material (material thickness 4 mm)



Nominal length mm	Order no.		PU
	left	right	
260	1 062 013	1 062 014	18 ea.
300	9 019 688	9 019 689	18 ea.
350	1 062 015	1 062 016	18 ea.
420	1 062 017	1 062 018	18 ea.
470	1 062 019	1 062 020	18 ea.
520	1 062 521	1 062 522	18 ea.
620	1 077 781	1 077 782	18 ea.



▶ Advice

For technical information, see pages 843, 856 – 871
For Quadro runner, see page 821