

Double walled drawer system InnoTech

- ▶ Drawer, height 70 mm
- ▶ Powder-coated steel, silver



Components

- 1** Drawer side profile, left and right
- 2** Drawer front connector for side profile, 2 each
- 3** Cover cap, 2 each
- 4** Quadro drawer runner, see page 821
- 5** Steel rear panel

Alternatively:

- 6** Aluminium rear panel or Wooden rear panel and
- 7** Rear panel connector, left and right

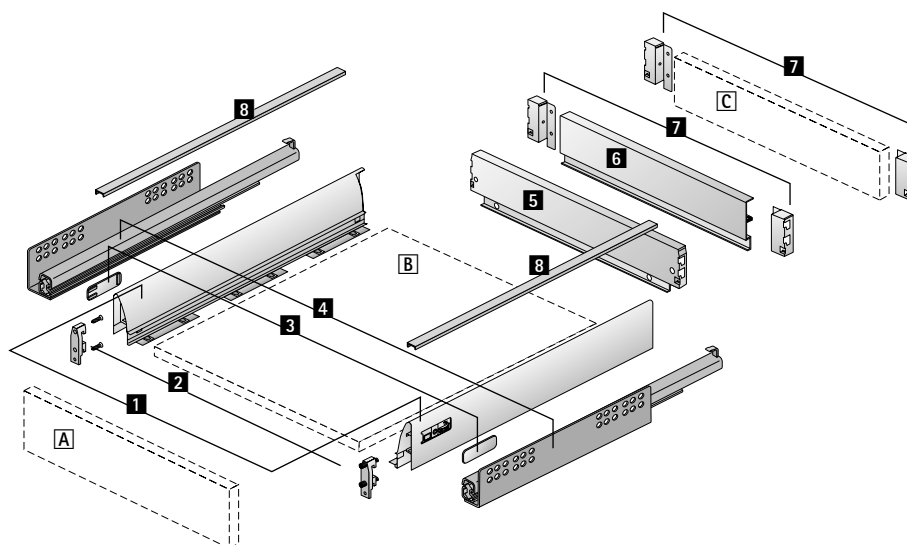
Optional accessories:

- 8** Decorative profile, 2 each
- A** Front
- B** Bottom panel (material thickness 16 mm)
- C** Wooden rear panel (material thickness 16 mm)

1 Drawer side profile



Nominal length mm	Order no.		PU
	left	right	
260	1 062 013	1 062 014	18 ea.
300	9 019 688	9 019 689	18 ea.
350	1 062 015	1 062 016	18 ea.
420	1 062 017	1 062 018	18 ea.
470	1 062 019	1 062 020	18 ea.
520	1 062 521	1 062 522	18 ea.
620	1 077 781	1 077 782	18 ea.



▶ Advice

For technical information, see pages 842, 856 – 871
 For Quadro runner, see page 821