

Full extension runner for wooden drawers

- ▶ Ball bearing slide KA 5632 with Silent System soft, automatic closure
- ▶ 12.7 mm installation width, loading capacity 40 kg



- ▶ Precision full extension runner – the integrated self-closing mechanism with Silent System cushioned closure reliably shuts the draw in virtual silence
- ▶ Using a release lever, the drawer can be detached from the runner and thus removed and re-fitted with ease.
- ▶ Perfectly extension guarantees smooth move and high lateral stability
- ▶ For wooden drawers with grooved, rebated or loosely fitted bases
- ▶ Galvanised steel or black

Ball bearing slide KA 5632 with Silent System soft, automatic closure

Drawer length mm	Minimum cabinet depth mm	Hole spacing mm				Order no. Galvanised steel	Order no. black	PU
		b1	b2	b3	C			
300	304	–	–	–	196	9 128 570	9 128 579	10 pairs
350	354	56	–	–	246	9 128 571	9 128 580	10 pairs
400	404	96	–	–	296	9 128 572	9 128 581	10 pairs
450	454	96	–	–	346	9 128 573	9 128 582	10 pairs
500	504	96	96	–	396	9 128 574	9 128 583	10 pairs
550	554	96	128	–	446	9 128 575	9 128 584	10 pairs
600	604	96	128	–	496	9 128 576	9 128 585	10 pairs
650	654	96	128	128	546	9 128 577	9 128 586	10 pairs
700	704	96	128	128	596	9 128 578	9 128 587	10 pairs

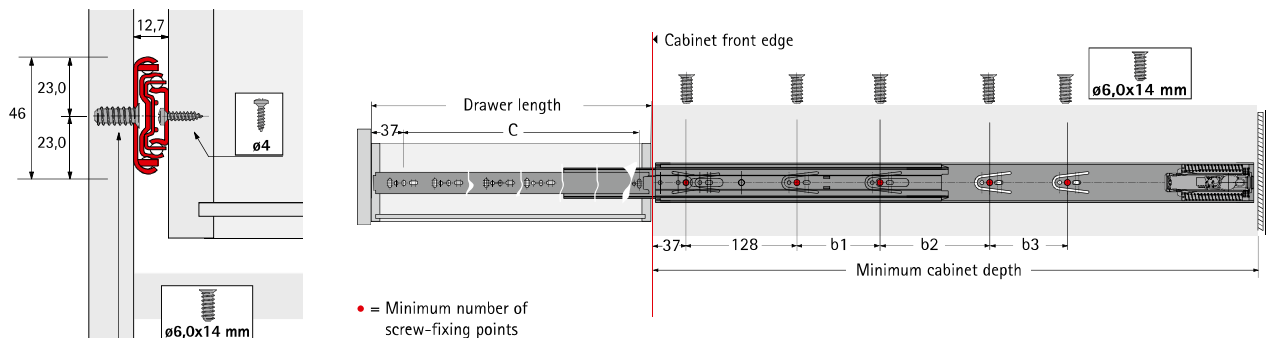
Fixing screws



- ▶ Direct fixing countersunk screw
- ▶ Galvanised steel

Dimensions mm	Order no.	PU
6.0 mm dia. x 14 mm	1 028 128	1000

Planning dimensions



To attain max. loading capacity, it is recommended to use all main fixing screw holes.

▶ Advice

Assembly note, see page 19